

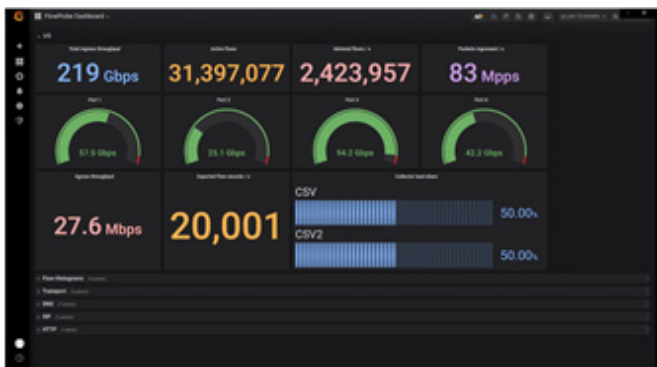
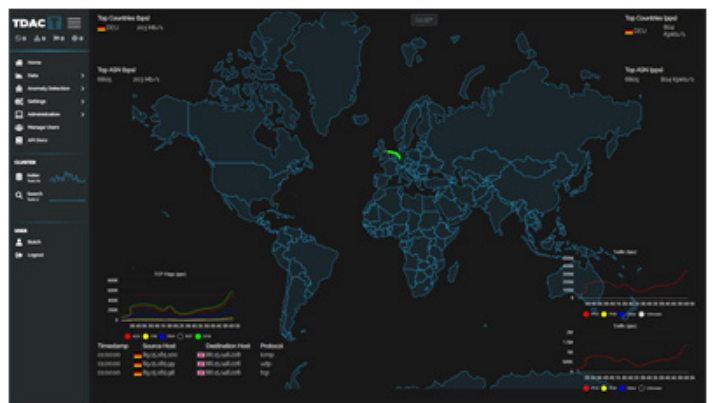
400G BACKBONE NETWORK DETECTION AND RESPONSE - **DEEP VISIBILITY** TO ADJUST THE **CYBER POWER** DYNAMIC AND PROTECT **REVENUE, INFRASTRUCTURE, SERVICES AND CUSTOMERS**

CYBER | RISK | COMPLIANCE | NETWORK HEALTH & CONGESTION | FRAUD

What is backbone deep visibility?

Total visibility of traffic and threats on the communications and data backbones of networks. The platform provides real time threat detection, 12 month forensics and views of customers, country, infrastructure and services. A strong foundation for security operations.

This provides a view of the interconnected world – enterprise, IoT, cloud, industry, 5G, global internet – applied with up to date cyber intelligence for deep forensic analysis and threat hunting across the network infrastructure and network data.



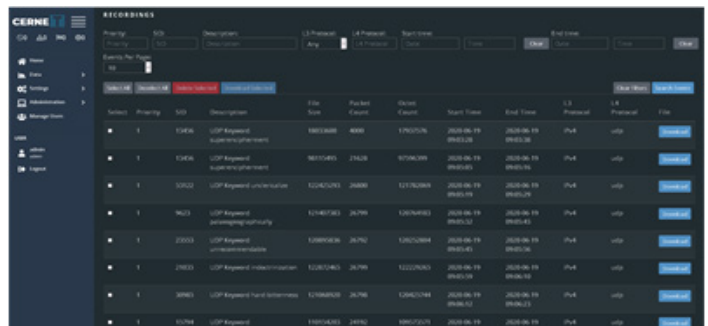
How does backbone deep visibility work?

A single huge data lake of metadata, raw network traffic and real time indicators of compromise is made available to operational teams for incident response and proactive threat hunting. Data is analysed, enriched, correlated and presented in real time reducing time and resource to act on events and observations.

Highly accurate, unsampled network metadata is provided by the 400G Telesoft FlowProbe with targeted content capture and alerts provided by the 100G CERNE IDS.

Key features & benefits

- Enables deep security operations at Tbps
- Single view of entire digital estate
- Drill-down from assets and customers to metadata and raw network traffic
- Reduced noise with pre-grouped data
- Real-time alerting and forensics
- Low OPEX per 100G
- Standardised data formats for interoperability
- On premises data storage and secure access
- ISO 9001 responsive and agile engineering
- World-class maintenance & support services
- UK designed hardware and software



Priority	SID	Observation	Size	Packet Count	Bytes Count	Start Time	End Time	U.S. Protocol	L.S. Protocol	File
1	13456	UDP Request: Suspicious destination	1000000	4000	1200000	2020-06-19 09:03:20	2020-06-19 09:03:20	IP4	UDP	Download
1	13456	UDP Request: Suspicious destination	1000000	21628	17796799	2020-06-19 09:03:20	2020-06-19 09:03:20	IP4	UDP	Download
1	13502	UDP Request: Unreachable	1000000	2000	12750000	2020-06-19 09:03:20	2020-06-19 09:03:20	IP4	UDP	Download
1	1602	UDP Request: Suspicious destination	1000000	20796	12000000	2020-06-19 09:03:20	2020-06-19 09:03:20	IP4	UDP	Download
1	23003	UDP Request: Unreachable	1000000	20796	12000000	2020-06-19 09:03:20	2020-06-19 09:03:20	IP4	UDP	Download
1	23003	UDP Request: Unreachable	1000000	20796	12000000	2020-06-19 09:03:20	2020-06-19 09:03:20	IP4	UDP	Download
1	23003	UDP Request: Unreachable	1000000	20796	12000000	2020-06-19 09:03:20	2020-06-19 09:03:20	IP4	UDP	Download
1	10794	UDP Request: Suspicious destination	1000000	24970	18000000	2020-06-19 09:03:20	2020-06-19 09:03:20	IP4	UDP	Download

HEADQUARTERS

Telesoft Technologies Ltd
Observatory House, Stour Park
Blandford DT11 9LQ UK
☎ +44 (0)1258 480880
☎ +44 (0)1258 486598
✉ sales@telesoft-technologies.com

AMERICAS

Telesoft Technologies Inc
430 National Business Parkway
Suite 480, Annapolis Junction
MD 20701
USA
✉ salesusa@telesoft-technologies.com

ASIA

Telesoft Technologies Ltd
Tapasya Corp Heights
Ground Floor, Sector 126
Noida, 201301
☎ +91 120 612 7725
✉ salesindia@telesoft-technologies.com

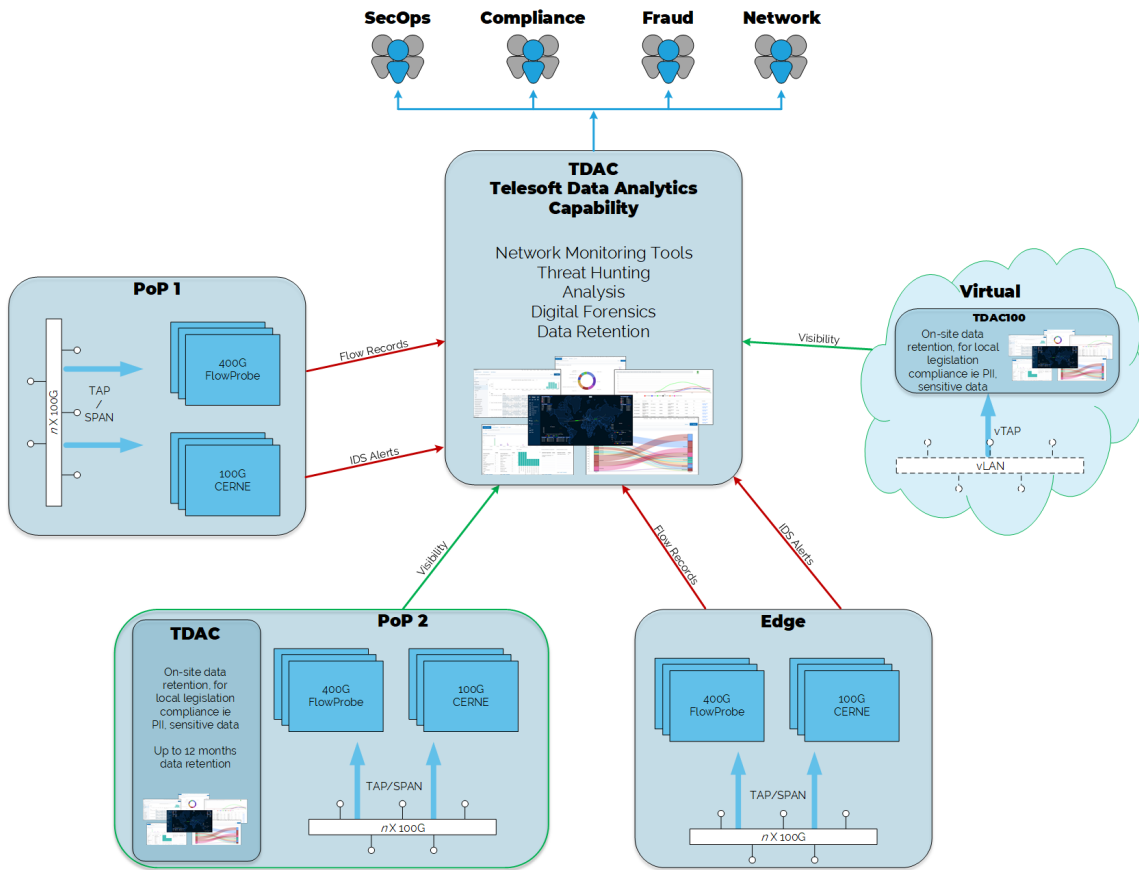
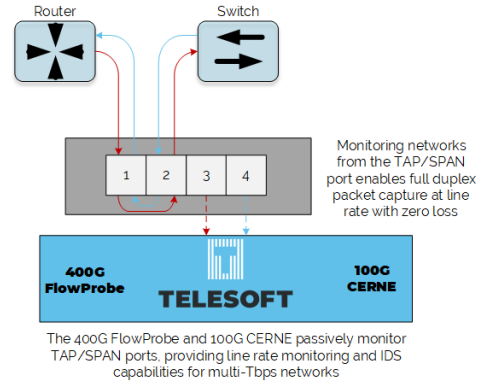
BACKBONE VISIBILITY

Responsiveness and collaboration

Agile services and UK-designed technology are key to being ahead of the global volumes of data and threats.

Telesoft platforms are designed for the world's largest data networks and are available with best in class services developed by high quality ISO 9001 engineering, world class support and extended maintenance services.

An agile and innovative roadmap enables the platform to respond to customer needs and the threat landscape.



Telesoft Technologies, the Telesoft Technologies logo design, ThinkEngine, Triton, HINTON, OKEFORD, TDAPI, MPAC, MILBORNE, C-CURE and ARNE are trademarks or registered trademarks of Telesoft Technologies Ltd or its subsidiaries. All other brand or product names may be trademarks of their respective companies. All rights reserved.